

ILLUSTRATED PARTS LIST

MODEL NUMBER M65H53SD

PRODUCT NUMBER 961 41 01-15

MFG. ID. NUMBER 96141011504

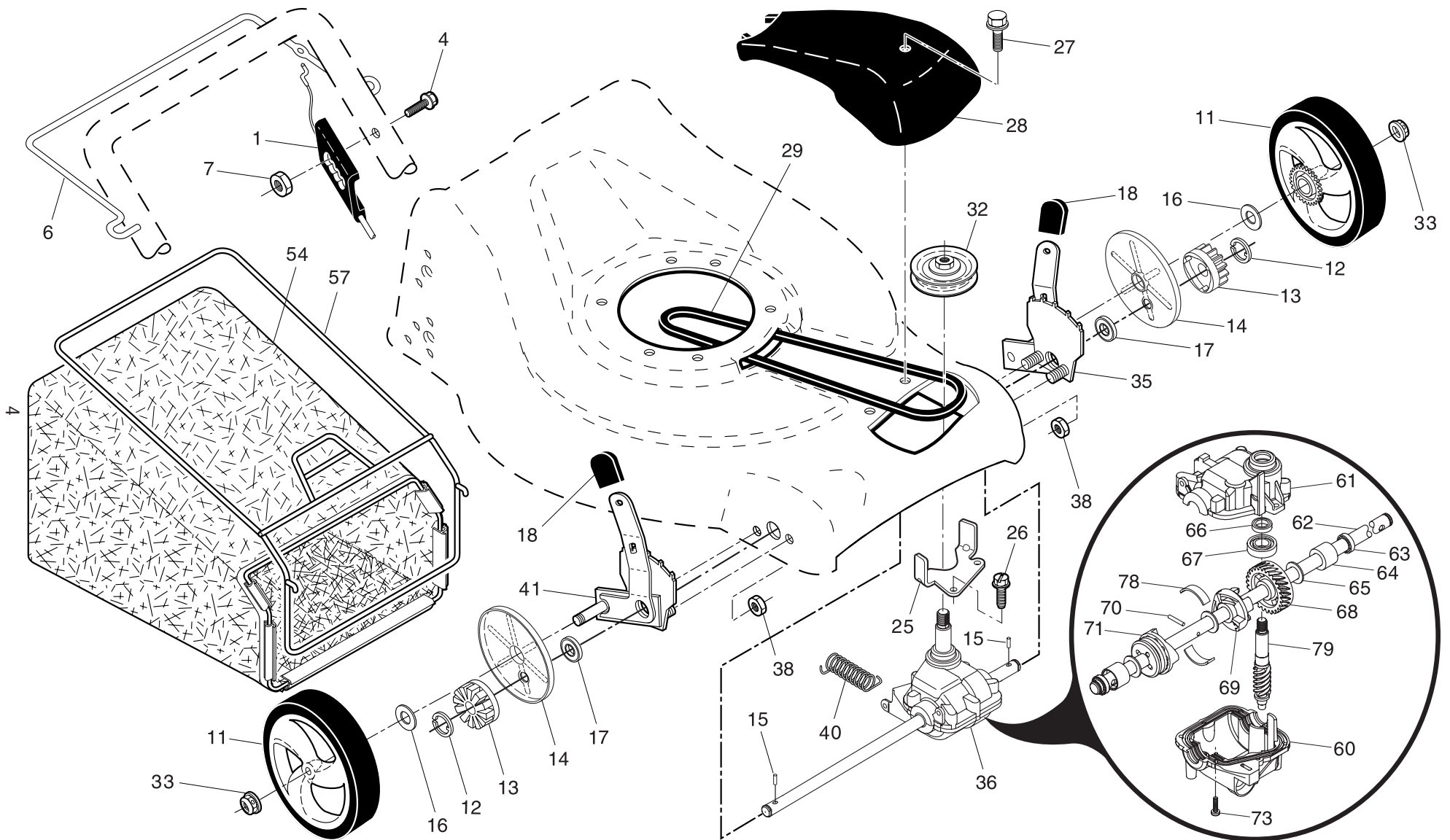
ROTARY LAWN MOWER - - MODEL NUMBER M65H53SD (96141011504) PRODUCT NO. 961 41 01-15

KEY NO.	PART NO.	DESCRIPTION	KEY NO.	PART NO.	DESCRIPTION
1	532 40 24-19	Upper Handle (Includes Foam Grip)	33	873 80 05-00	Nut, Hex 5/16-18
2	532 15 36-05	Lower Handle	34	532 40 16-30	Washer, Curved, Cylindrical
3	532 19 84-64	Control Bar	36	532 18 41-93	Bolt
4	532 18 35-67	Engine Zone Control Cable	37	874 78 05-12	Thread Cutting Screw w/Sems 5/16-18 x 3/4
5	532 19 15-74	Handle Bolt	38	532 40 16-29	Spacer
6	532 19 19-38	Handle Knob	39	532 15 53-77	Nut, Hex
7	532 05 17-93	Hairpin Cotter	40	532 19 09-39	Mounting Bracket, Debris Shield
8	532 06 64-26	Wire Tie	41	532 19 23-25	Screw
9	532 40 69-85	Rear Door	43	532 40 58-44	Debris Shield
10	532 12 84-15	Pop Rivet	44	532 40 92-65	Kit, Lawn Mower Housing (Includes Key Numbers 10, 11, 12 and 45)
11	532 41 05-40	Support Bracket, LH	45	532 18 21-66	Danger Decal
12	532 41 05-42	Support Bracket, RH	46	532 19 77-52	Blade Adapter
13	817 06 04-10	Screw 1/4-20 x 5/8	47	532 19 93-77	Blade, 21"
14	532 18 25-43	Handle Bracket Assembly, LH	48	532 85 10-74	Hardened Washer
15	532 18 25-45	Handle Bracket Assembly, RH	49	532 85 02-63	Helical Washer 3/8-24 x 1-3/8 Grade 8
16	532 40 54-17	Spring, Rear Door, LH	50	532 85 10-84	Hex Head Machine Screw 3/8-24 x 1-3/8 Grade 8
17	532 40 54-18	Spring, Rear Door, RH	57	532 12 51-62	Upstop Bracket
18	532 13 20-04	Keys Locknut 1/4-20	58	532 75 06-34	Screw
19	532 19 47-88	Rope Guide	59	532 17 50-71	Discharge Deflector
20	532 41 35-43	Foot Guard, C.E.	60	532 17 57-35	Hinge Bracket
21	817 49 04-16	Screw, Tapping 1/4-20 x 1/2	61	532 19 30-00	Spring, Hinge
22	532 12 50-78	Washer	62	532 17 56-50	Hinge Rod
24	- - -	Engine, Honda, Model Number GCV190 (order parts from Engine Manufacturer)	63	873 80 04-00	Nut, Hex
25	532 15 04-06	Hex Head Thread Rolling Screw 3/8-16 x 1-1/8	64	532 17 50-66	Mulcher Door
26	532 40 91-49	Hex Flange Nut	65	532 19 74-80	O-Ring
27	532 40 29-35	Wheel & Tire Assembly, Rear, 12"	66	532 08 83-48	Washer, Flat 1/2
28	532 40 16-38	Shoulder Bolt 5/16-18 x .33	69	532 18 63-62	Grip,Foam
30	532 41 31-41	Axle Arm Assembly, Rear	96	532 19 79-91	Clip, Cable
31	532 08 78-77	Selector Knob	- -	532 18 21-34	Decal, Warning, Internal, Self-Propelled (not shown)
32	532 40 98-89	Selector Spring	- -	532 40 24-05	Operator's Manual, European

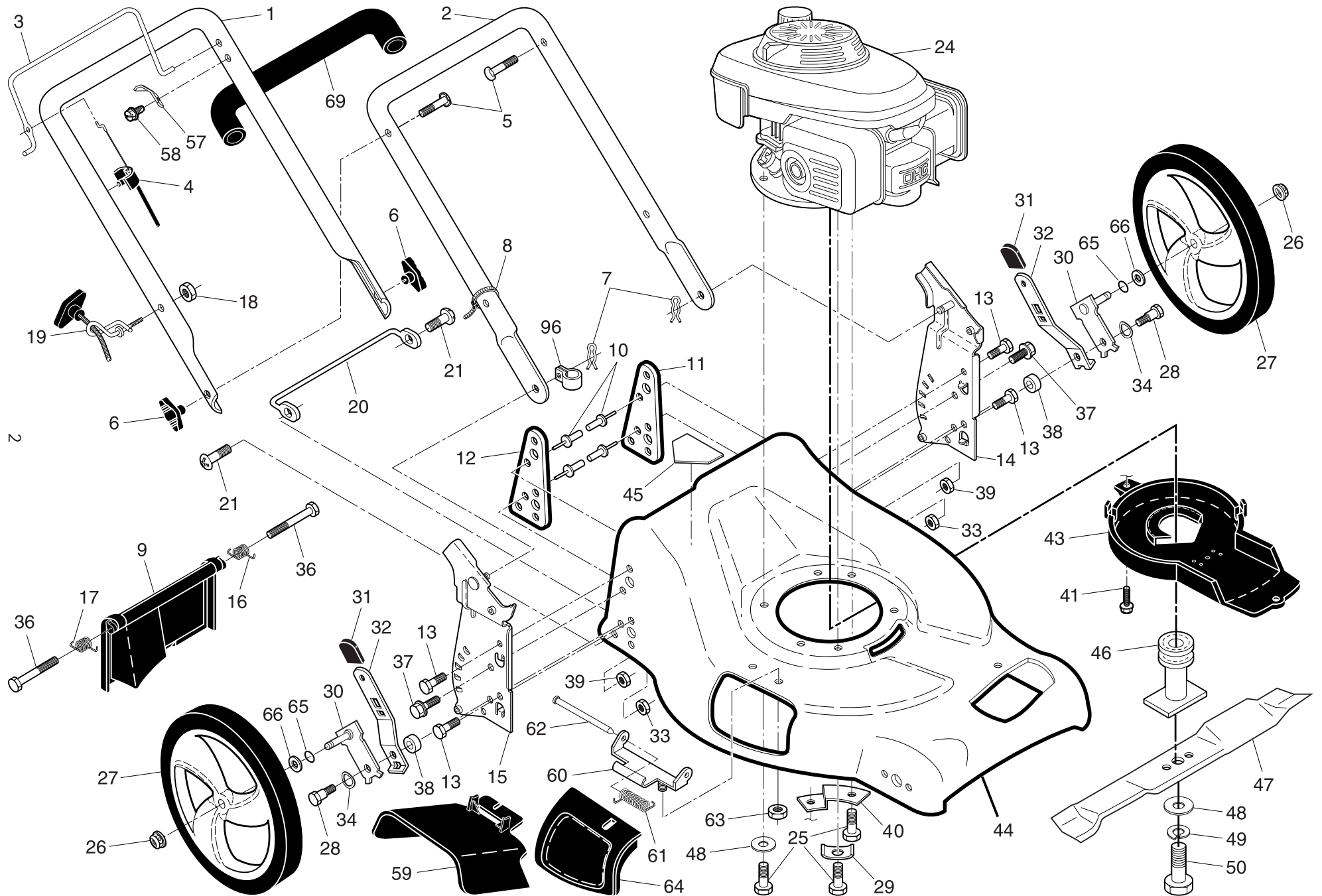
NOTE: All component dimensions given in U.S. inches. 1 inch = 25.4 mm

IMPORTANT: Use only Original Equipment Manufacturer (O.E.M.) replacement parts. Failure to do so could be hazardous, damage your lawn mower and void your warranty.

ROTARY LAWN MOWER - - MODEL NUMBER M65H53SD (96141011504) PRODUCT NO. 961 41 01-15



ROTARY LAWN MOWER - - MODEL NUMBER M65H53SD (96141011504) PRODUCT NO. 961 41 01-15



ROTARY LAWN MOWER - - MODEL NUMBER M65H53SD (96141011504) PRODUCT NO. 961 41 01-15

KEY NO.	PART NO.	DESCRIPTION	KEY NO.	PART NO.	DESCRIPTION
1	532 40 78-16	Drive Control Assembly (Includes Cable)	36	532 40 48-33	Gearcase Assembly, Complete
4	532 19 96-87	Hex Washer Head Screw 1/4-20 x 2.12	38	873 80 04-00	Locknut, Hex 1/4-20
6	532 19 84-53	Control Bar, Drive	40	532 40 65-58	Spring
7	532 19 17-30	Locknut, Hex #10-24	41	532 40 88-61	Kit, Wheel Adjuster, RH (Includes Knob and Bearing)
11	532 40 29-36	Wheel & Tire Assembly	54	532 19 52-13	Grassbag Assembly
12	812 00 00-58	E-Ring	57	532 41 19-50	Frame, Grassbag
13	532 40 38-49	Pinion	60	532 41 07-34	Case, Lower
14	532 18 94-03	Dust Cover	61	532 41 07-26	Case, Upper
15	532 40 48-45	Pawl, Drive	62	532 41 09-49	Shaft, Output
16	532 06 77-25	Washer 1/2 x 1-1/2 x .134	63	532 18 35-08	Seal, Output Shaft
17	532 19 10-39	Bearing, Wheel Adjuster	64	532 18 35-11	Bushing
18	532 08 78-77	Selector Knob	65	532 18 35-09	Washer
25	532 41 16-63	Belt Keeper	66	532 18 35-14	Seal, Worm Shaft
26	532 16 34-09	Screw	67	532 18 35-06	Bearing, Ball
27	532 17 52-62	Pan Head Tapping Screw #10-24 x 2-3/4	68	532 41 07-29	Gear, 28 Teeth
28	532 18 14-67	Drive Cover	69	532 41 07-30	Movable Dog Clutch
29	532 19 41-49	V-Belt	70	532 41 07-33	Pin
32	532 19 40-18	Drive Pulley	71	532 41 07-32	Fixed Dog Clutch
33	532 40 91-48	Locknut, Hex	73	532 18 35-13	Screw, Case
35	532 40 88-62	Kit, Wheel Adjuster, LH (Includes Knob and Bearing)	78	532 41 07-31	Spring, Leaf
			79	532 41 07-27	Shaft, Worm

NOTE: All component dimensions given in U.S. inches. 1 inch = 25.4 mm

IMPORTANT: Use only Original Equipment Manufacturer (O.E.M.) replacement parts. Failure to do so could be hazardous, damage your lawn mower and void your warranty.